

EVSE SOCKET HOLDER

Electric Vehicle Charging Equipment Products



OPERATIONAL MANUEL

www.oxatechnologies.com

V 1.0 January 2021

CHARGER HOLDER



1 Connection screws

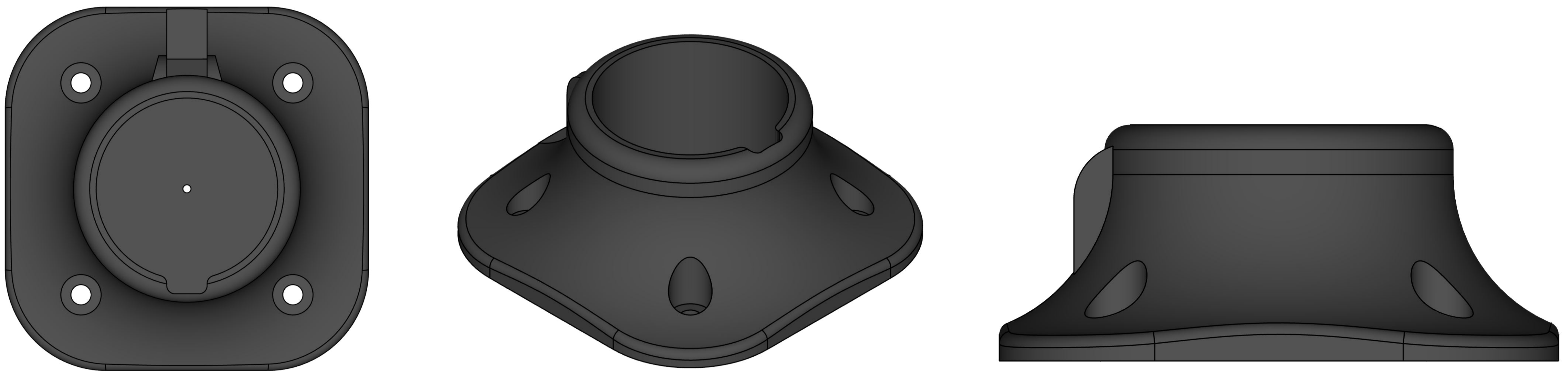
2 Screw connection holes

3 SAE J1772 charger holder

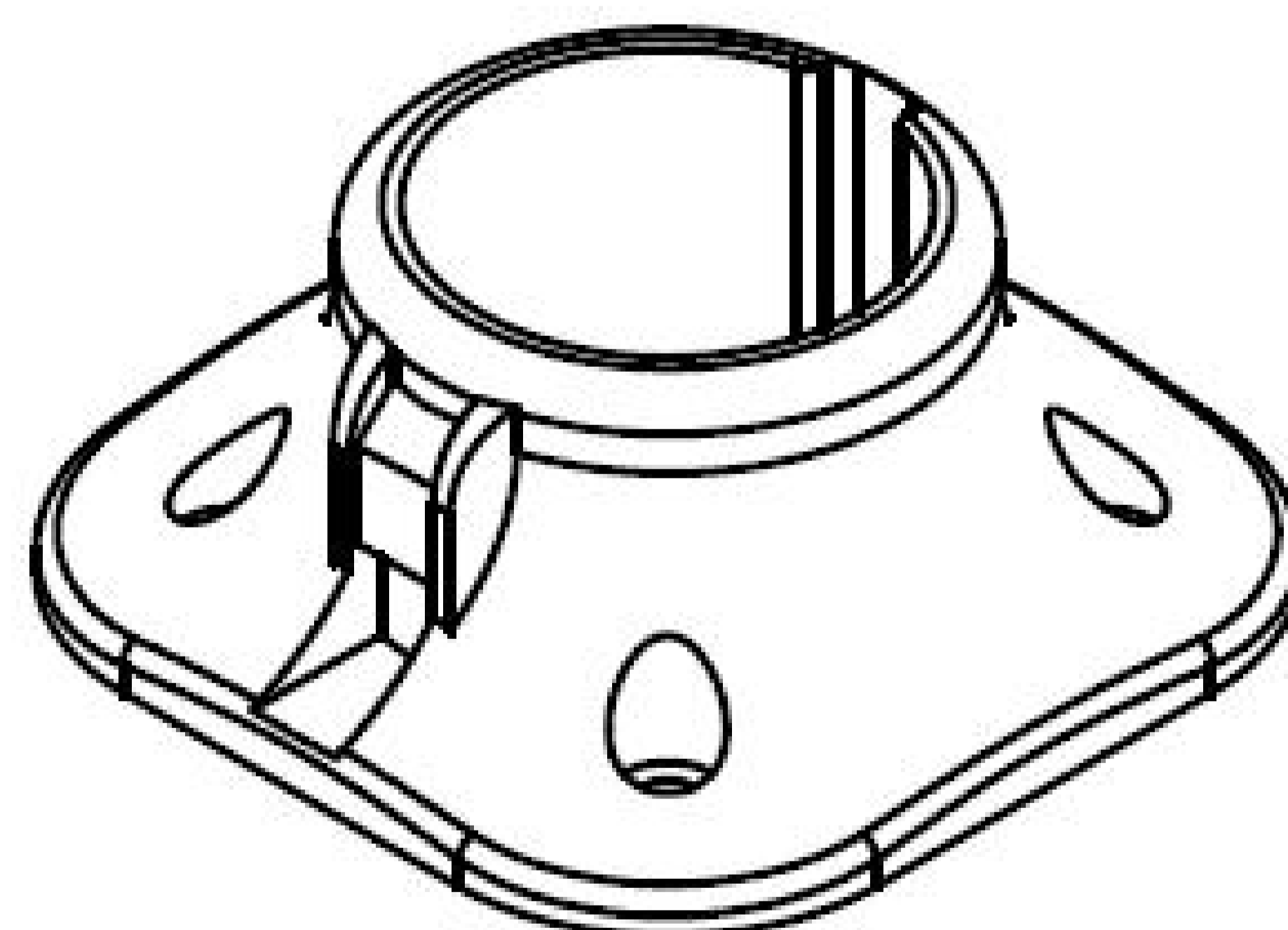
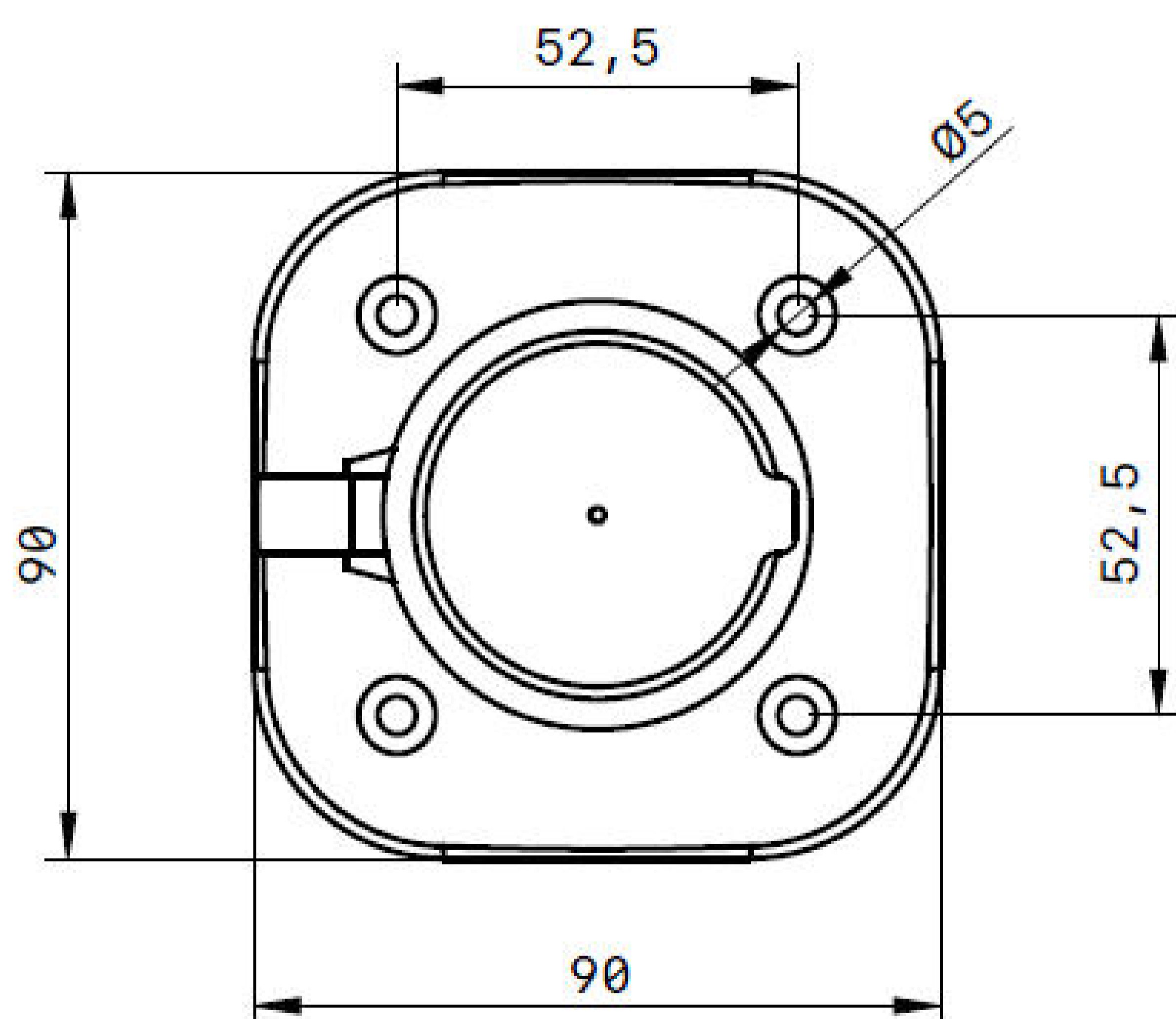
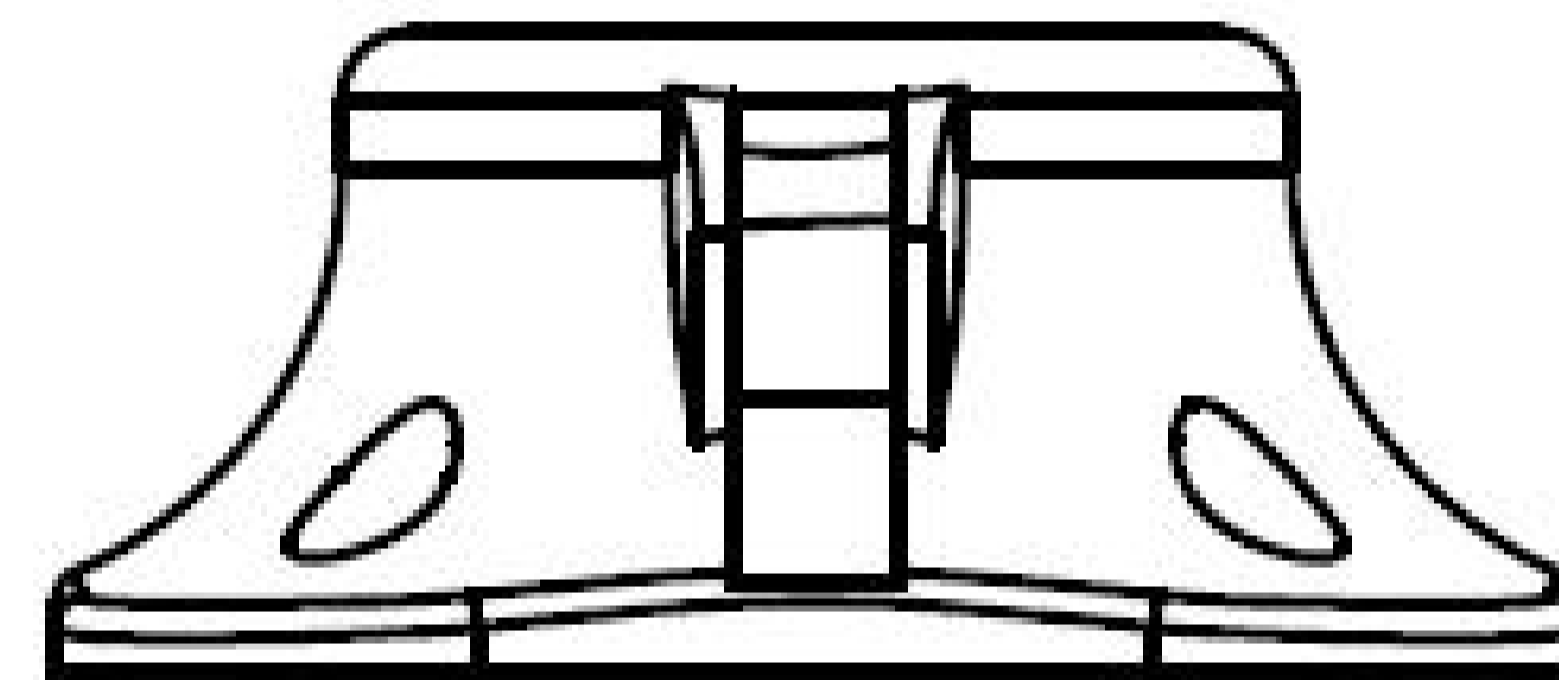
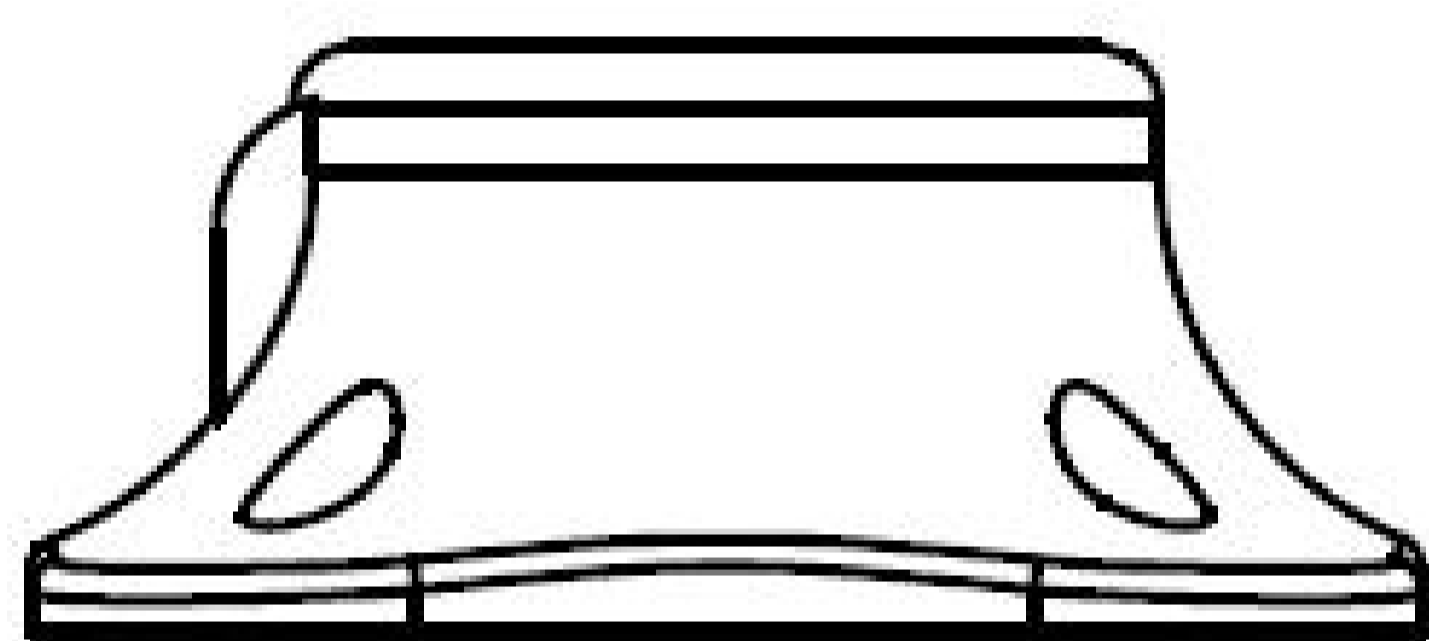
4 SAE J1772 socket (not included)



CHARGER HOLDER



5 3D design view



6 Diementions (mm)

EVSE SOCKET HOLDER
SAE J1772